




# Assembly Instruction for Worktop & Heavy Duty Frames


A.  M8x15 x 20 pcs

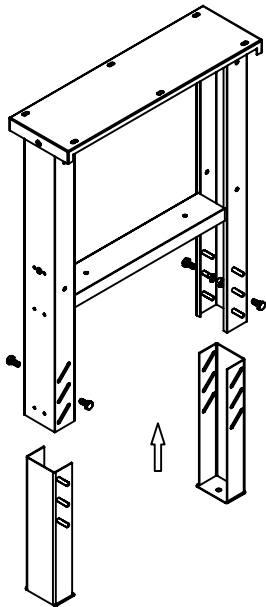
B.  M8 x 24 pcs

C.  M8x15 x 4 pcs

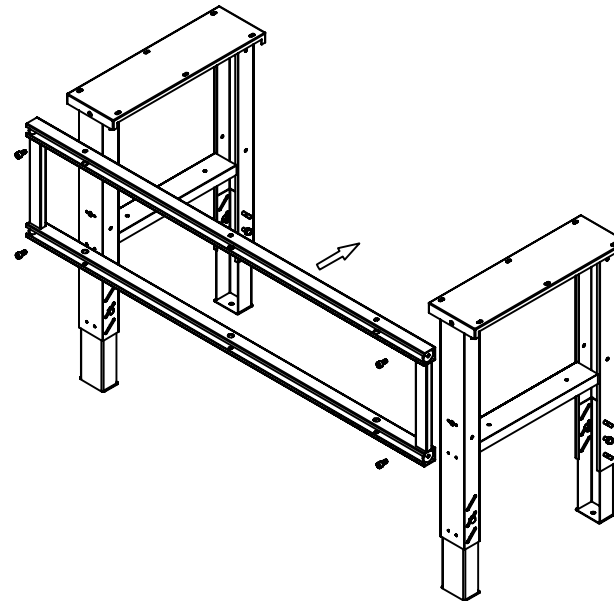
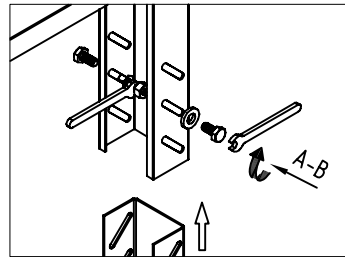
D.   $\varnothing 8.5 \times 36$  pcs

E.  Wrench 13 x1pcs

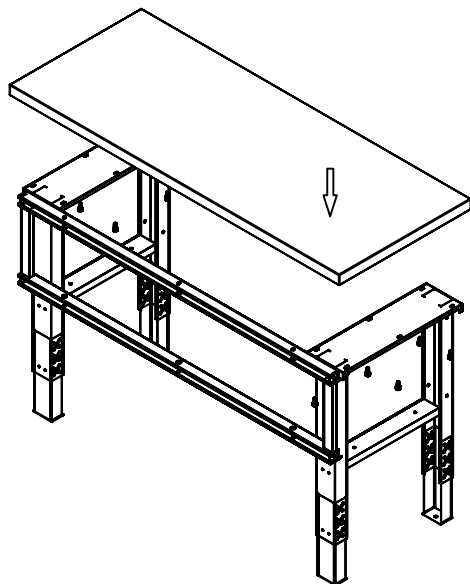
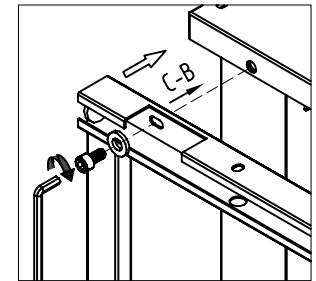
F.  Key 6x1pcs



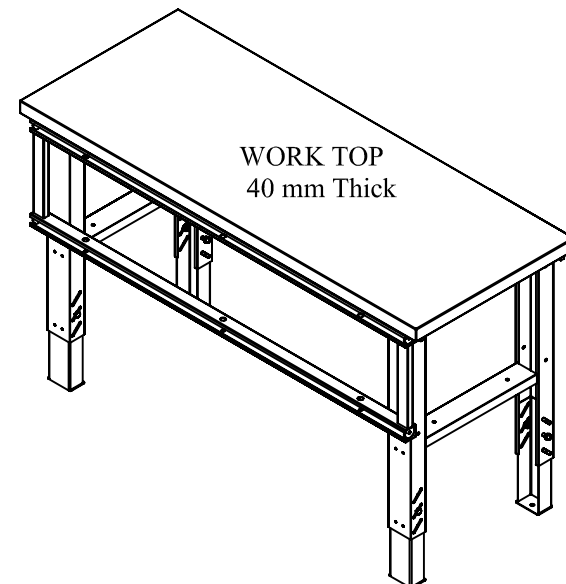
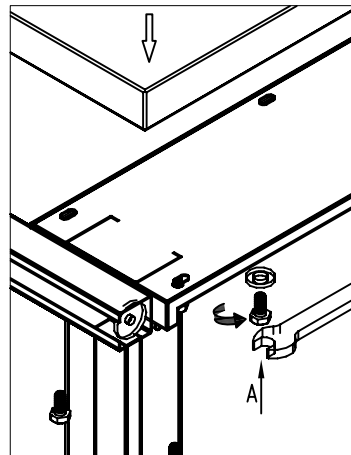
Step 1



Step 2



Step 3



Step 4

WORK TOP  
40 mm Thick